

# Enterprise and Industrial Power Solutions

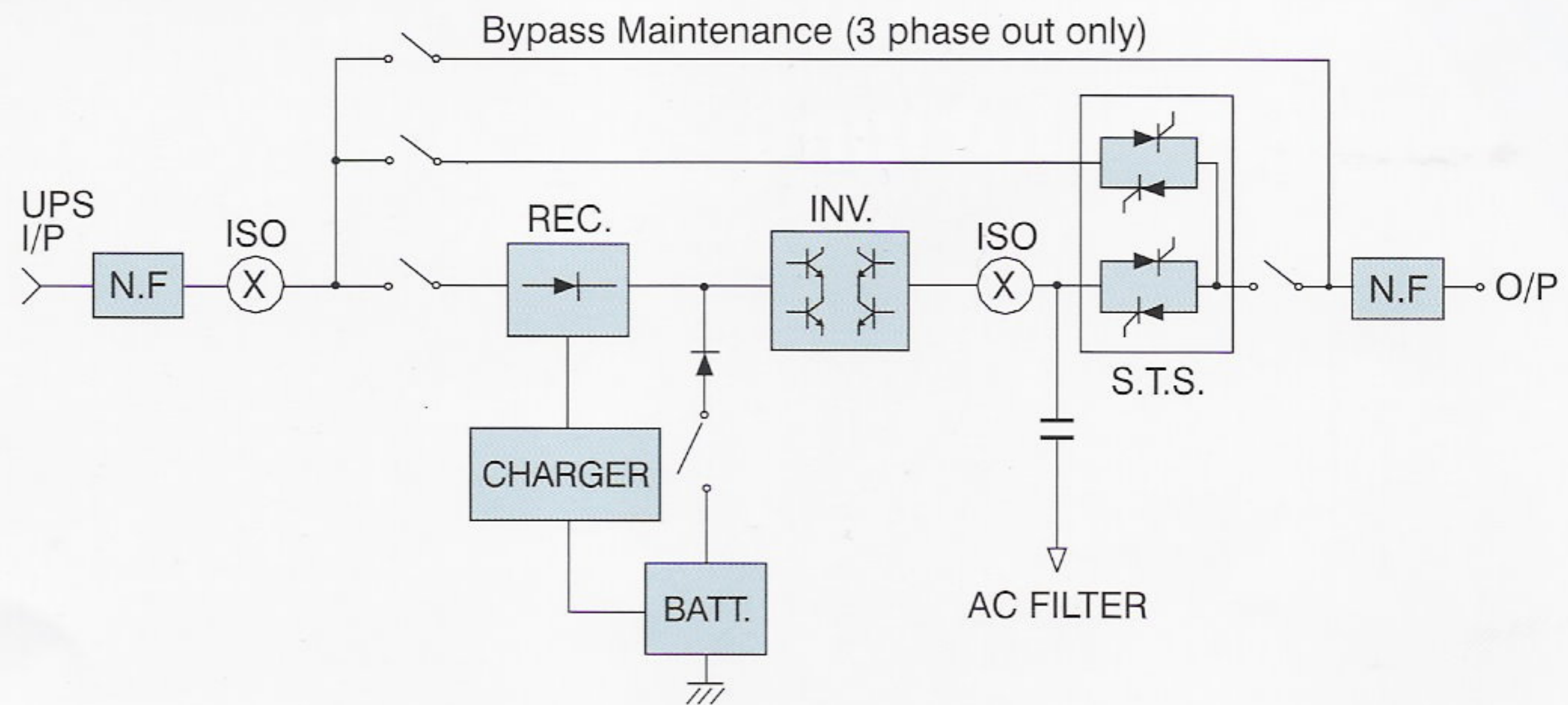






# THE LUP & LUV SERIES TRUE ON LINE UNINTERRUPTIBLE POWER SYSTEM INCORPORATE THE FOLLOWING:

## Block Diagram



## Three Phase Display

### ● Phase site wiring error

**Warning.....**  
Input phase connects error  
**Please to remedy**

### ● Output Voltage, Frequency

**Output Voltage**  
Phase: R(V) S(V) T(V)  
L-N: 220 220 220  
L-L: 380 380 380  
Frequency: 50.0 Hz

### ● Output loading status

**Output Loading**  
Phase: R(%) S(%) T(%)  
L-N: 060 100 005  
Batt. Volt.: 192Vdc  
OP. Temp.: 035°C

### ● Battery status

**Battery Condition**  
Battery Volt: 192 V  
Disch. Cur.: 050 A  
Bat Remain: 070 %  
Charge Cur.: 00.0 A

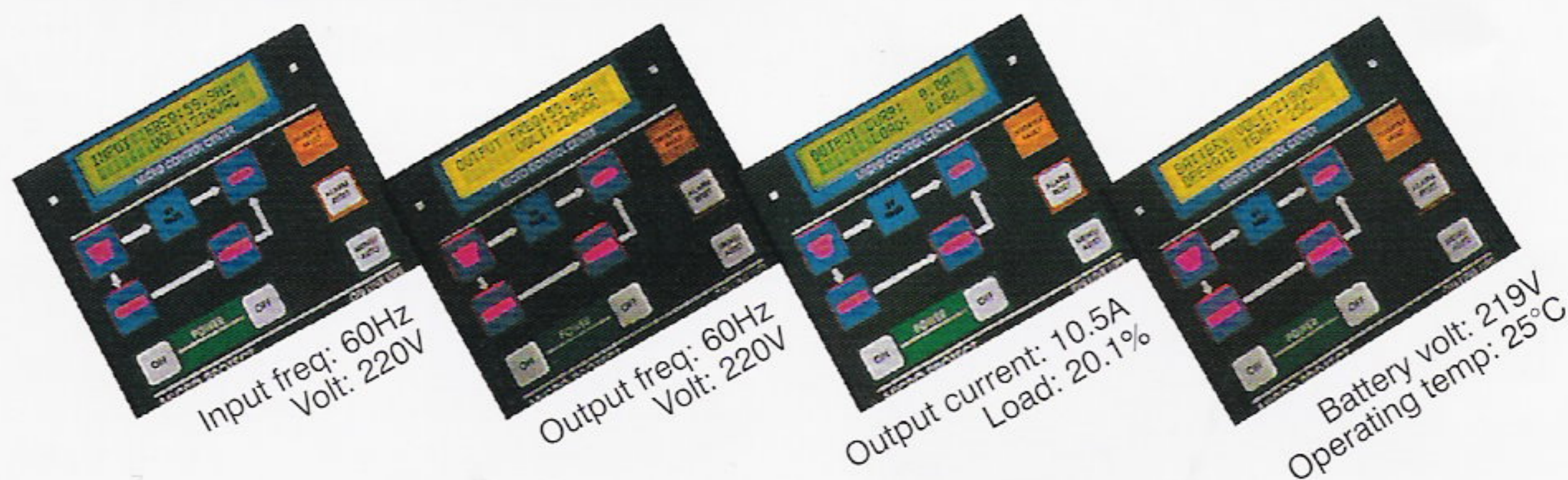
### ● Battery replacement warning

**Warning.....**  
The battery is weak,  
Please to replacement

### ● Event log of power source

02.11.30	8:30:30	AC mains recovery
02.11.30	8:25:25	AC mains failure
02.11.30	8:20:10	Overload
		01

## Single Phase Display



## Features and Benefits

### 1. Input true galvanic isolation transformer

Can solve ultimately the problem of power system, including leakage current, noise interference....etc.

### 2. Per phase with individual inverter support

Characteristics will not be violated under 100% unbalance load.

### 3. DC start available

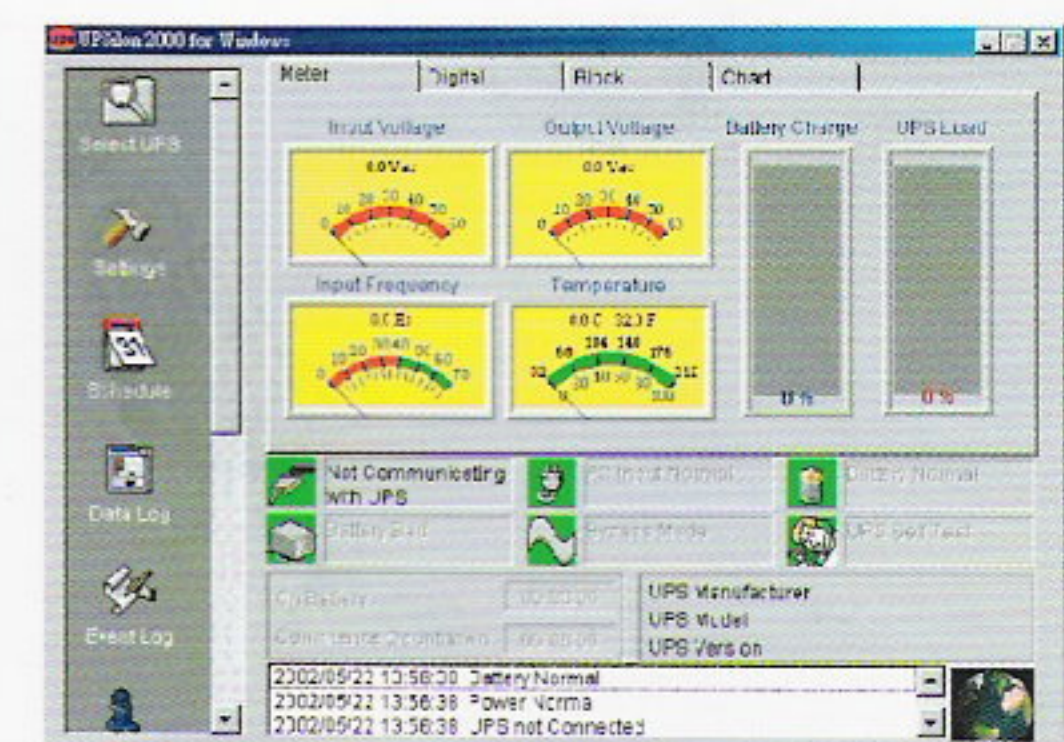
Can be started without AC power source.

### 4. 12 pulse full controlled rectifier (option)

Can reduce harmonic current.

### 5. Advanced battery management.

Battery replacement warning prevents downtime.



Power Management Software

www.longtime.com



## THREE PHASE-SERIES TECHNOLOGY SPECIFICATIONS

Model		LUP-10	LUP-20	LUP-30	LUP-40	LUP-50	LUP-60	LUP-80	LUP-100
Capacity		10KVA	20KVA	30KVA	40KVA	50KVA	60KVA	80KVA	100KVA
Input (Rectifier)	Voltage	3 $\phi$ 380V/ 400V/ 415V $\pm$ 15% + N*							
	Frequency	50 or 60Hz $\pm$ 5%							
	Power Walk-in	0~100% : 10 sec.							
Output (Inverter)	Voltage	3 $\phi$ 380V/400V/415V + N*							
	Frequency	50Hz or 60Hz $\pm$ 0.5%							
	Static Regulation	$\pm$ 1% at linear load							
	Dynamic Regulation	$\leq$ 2% at 50% load unbalance, $\leq$ 5% at 100% load unbalance							
	THD Distortion	$\leq$ 3% at linear load, $\leq$ 5% at Non-linear load							
	Transient response	< 5ms							
	Power Factor	0.8							
	Overload Capacity	100% continuous, 125% for 10 minutes, 150% for 1 minute							
Battery	Voltage	192V (12V x 16pcs)				348V (12V x 29pcs)			
	Maximum charge current	5A				10A			
	Float Voltage	216V				392V			
	Boost Voltage	230V				420V			
	Recharge time	4~8 hours 90% after fully discharge							
Static Switch	Mains $\leftrightarrow$ Inverter	No break							
Indicator	LCD Display	As left showing							
	LED Display	Mimic display							
Protection	Output short	Yes							
	Lightning/EMI filter	Yes							
Environment	Temperature	0°C to 40°C							
	Humidity	0 to 90%, non condensing							
	Noise Level	< 60dB at 1 meter				< 65dB at 1 meter			
Communication	Interface Port	RS-232 or DB 9 (standard), SNMP adaptor, RS-485, AS-400 (option).							
Dimension WxHxD (mm)	UPS	660 x 1550 x 800				660 x 1550 x 800		1100 x 1710 x 850	
	Battery Bank					660 x 1550 x 800		660 x 1550 x 800	
Net Weight	UPS	560kgs	600kgs	650kgs	700kgs	600kgs	700kgs	900kgs	1100kgs
	Battery Bank					430kgs	500kgs	630kgs	1100kgs

※ LONG TIME reserves the right to change specifications without notice.



## SINGLE PHASE-SERIES TECHNOLOGY SPECIFICATIONS

Model		LUV-50	LUV-60	LUV-80	LUV-100	LUV-150	LUV-200	LUV-300
Capacity		5KVA	6KVA	8KVA	10KVA	15KVA	20KVA	30KVA
Input	Voltage	110V or 220V $\pm$ 15%						
	Frequency	50 or 60Hz $\pm$ 5%						
	Phase	1 $\phi$ 2W+G or 3 $\phi$ 3W+G, 3 $\phi$ 4W+G						
Output	Voltage	115V or 208V, 230V						
	Phase	1 $\phi$ 2W+G or 1 $\phi$ 3W+G (option)						
	Voltage Regulation	$\pm$ 1% at linear load						
	Frequency	50Hz or 60Hz $\pm$ 0.5%						
	Power Factor	0.8						
	Waveform Distortion	Less than 3% at linear load						
	Crest Factor	3 : 1						
	Overload Capacity	100% continuous, 150% for 25 seconds						
	Efficiency AC to AC	> 85% at battery fully charge						
Battery	Voltage	192V (12V x 16pcs)						240V
	Back up Time	Computer load 15~30 min.						
	Recharge Time	4~8 hours 90% after fully discharge						
Transfer time	Mains $\leftrightarrow$ Inverter	No break						
Indicator	LCD Display	Input/Output voltage, Frequency, Output current percentage, Battery voltage, Operating temperature						
	LED Display	Mimic display						
Audible Alarm	Battery Discharge	Sound every 4 seconds. Sound every 1 second for battery low						
	UPS Fault	Continuous sound						
Protection	Output short	Yes						
	Lightning	Yes						
Environment	Temperature	0°C to 40°C						
	Humidity	0 to 90%, non-condensing						
	Noise Level	< 50dB at 1 meter					< 60dB at 1 meter	
Communication	Interface Port	RS-232 or DB 9						
Dimension (mm)	W	260		260	310	360 x 740 x 870 (WxHxD)		
	H	800		900	900			
	D	660		660	660	360 x 740 x 870 (WxHxD)		
Net Weight	UPS	130kgs	150kgs	190kgs	320kgs	190kgs	230kgs	280kgs
	Battery Bank					200kgs	200kgs	290kgs

※ LONG TIME reserves the right to change specifications without notice.



Manufacturer and Exporter

**LONG TIME ELECTRONIC CO., LTD.**

NO. 90, ALLEY 105, LANE 514 CHUNG CHENG RD,  
HSIN CHUANG CITY, TAIPEI, TAIWAN, R.O.C.

TEL:886-2-29044105, 29044106 FAX:886-2-29037166

http://www.longtime.com e-mail:dmwu@ms13.hinet.net